

PRODUCT SPECIFICATIONS

Elkay Dart Canyon Stainless Steel 29-7/8" x 27-1/4" x 9-5/8", 1-Hole Single Bowl Farmhouse ADA Workstation Sink with 4-13/16", Deep Work Shelf. Sink is manufactured from 16 gauge 304 Stainless Steel with a Polished Satin finish, Rear Center drain placement, and Full spray sides and bottom with Sides and Bottom pads.



Included with Product: CTXBG2513R bottom grid, CTXDC0606 bottom grid drain cover, LKDD deep strainer drain

A Century of Tradition and Quality.

For more than 100 years, Elkay has been making innovative products and providing exceptional customer care. We take pride in offering plumbing products that make life easier, inspire change and leave the world a better place.

Product Compliance: ADA & ICC A117.1
ASME A112.19.3/CSA B45.4
Accessory: ASME A112.18.2/CSA B125.2

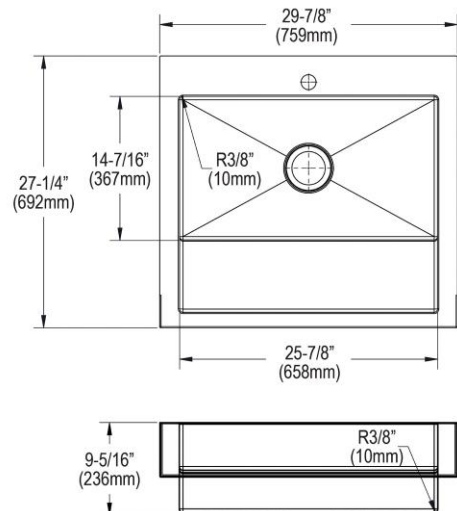


Complies with ADA & ICC A117.1 accessibility requirements when installed according to the requirements outlined in these standards.

[Clean and Care Manual \(PDF\)](#)

[Installation Instructions \(PDF\) - 100005532](#)

[Warranty \(PDF\)](#)



In keeping with our policy of continuing product improvement, Elkay reserves the right to change product specifications without notice. Please visit elkay.com for the most current version of Elkay product specification sheets. This specification describes an Elkay product with design, quality, and functional benefits to the user. When making a comparison of other producers' offerings, be certain these features are not overlooked.

PART: _____ QTY: _____

PROJECT: _____

CONTACT: _____

DATE: _____

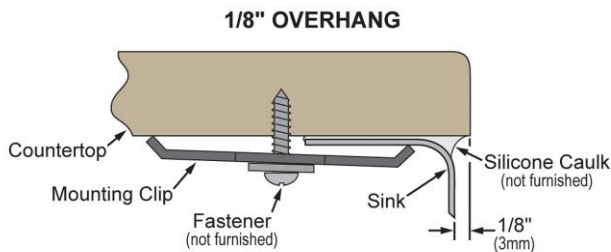
NOTES: _____

APPROVAL: _____

right to change product specifications without notice. Please visit elkay.com for the most current version of Elkay product specification sheets. This specification describes an Elkay product with design, quality, and functional benefits to the user. When making a comparison of other producers' offerings, be certain these features are not overlooked.

Installation Type:	Farmhouse, Sink Kits
Material:	304 Stainless Steel
Special Features:	Workstation
Finish:	Polished Satin
Gauge:	16
Sound Deadening:	Full spray sides and bottom with Sides and Bottom pads
Number of Bowls:	1
Sink Dimensions:	29-7/8" x 27-1/4" x 9-5/8"
Bowl 1 Dimensions:	25-7/8" x 14-7/16" x 9-5/8"
Drain Size:	3-1/2" (89mm)
Drain Location:	Rear Center
Minimum Cabinet Size:	30"
Mounting Hardware:	Part # 54300308 included
Template Included:	No

Installation Profile:



Designed to affix to the underside of any solid surface countertop.

Included Accessories

CTXBG2513R	Elkay Dart Canyon Stainless Steel 24-1/2" x 13" x 4-3/8" Reversible Bottom Grid Spec Sheet (PDF)	
CTXDC0606	Elkay Dart Canyon Stainless Steel 5-1/8" x 5-1/4" x 7/8" Bottom Grid Drain Cover Spec Sheet (PDF)	
LKCB1223LWN	Elkay Dart Canyon Hardwood 12" x 22-1/2" x 1" Cutting Board Spec Sheet (PDF)	

Optional Accessories

LKDD	Elkay 3-1/2" Drain Fitting Deep Strainer Basket Spec Sheet (PDF)	
----------------------	---	--

In keeping with our policy of continuing product improvement, Elkay reserves the right to change product specifications without notice. Please visit elkay.com for the most current version of Elkay product specification sheets. This specification describes an Elkay product with design, quality, and functional benefits to the user. When making a comparison of other producers' offerings, be certain these features are not overlooked.